

GSA⁺ CNC-120R, 170R, 200R, 250R, 320R 2W/3W CNC MULTI-SPINDLE Rotary Table



- ⊙ Double productivity, decreasing machining-time and cost.
- ⊙ Multi-Points pneumatic brake system offers superior clamp torque, insures smooth machining without deflection under a heavy load.
- ⊙ Increasing machining speed, reduce the time on rotating ATC and workpiece loading-unloading.

MODEL NO : **CNC-200R 3W**

- Multi-spindle Q'ty
- Table Dia.
- Type of CNC Rotary Table

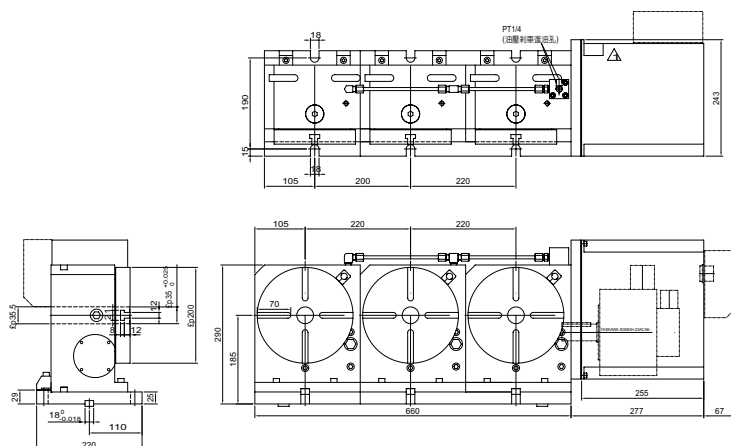
ITEM / MODEL		CNC-200R-3W(2W)			
Table Dia (mm/inch)		200 / 7.87			
Center Height in Vertical (mm / inch)		190 / 7.48			
Table Height in Horizontal (mm/ inch)		290 / 11.42			
Over all Height in Vertical Without Motor Cover (mm / inch)		315 / 12.40			
Thru-Hole Dia (mm / inch)		35 ^{H7} / 1.38 ^{H7}			
Width of T-slot (mm / inch)		12 ^{H7} / 0.47 ^{H7}			
Width of Guide Block (mm / inch)		18 ^{H7} / 0.71 ^{H7}			
Servo motor type	MELDAS	SIEMENS	HF-154T	1FK7063	
	FANUC	HEIDENHAIN	α8 i	QSY116C	
Max. Load	Vertical	W=125 kg			
	Horizontal	W=250 kg			

ITEM / MODEL		CNC-200R-3W	
Gear Ratio		90:1	
Min. Increment(degree)		0.001°	
Max. R.P.M. (rpm) (motor : 2000 / rpm)		22.2	
Pneu. clamp force (kg•m) (P:5kg / cm ²)		25	
Hydro. clamp force (kg•m) (P:20kg / cm ²)		50	
Indexing Accuracy Class (sec.)		20"	
Repeatability (sec.)		Unidirectional 4"	Bidirectional 8"
Max. Machine Force (kg•m)		23	
N. W. (kgs)		270	
Max. Radial Load		W=1100 kg	
		FxL=50 kg•m	
		FxL=100 kg•m	

Accuracy Standards								Unit:mm
ITEM	Table top flatness	Parallelism of table top and frame bottom	Runout of table spindle center	Perpendicularity of table top to frame bottom	Table top runout	Perpendicularity of table top to frame bottom guide block	Parallelism of center line between headstock & tailstock to frame bottom guide block	
MODEL								
CNC-200R-3W	0.01	0.02	0.01	0.012	0.015	0.02	0.02	

※ GSA remains the right of modification. All specifications can be modified according to customers' requirement.
 ※ Standard auessory : eye bolts, clamping blocks.

CNC-200R-3W



CNC-200R-2W

